

Original BMW Parts and Accessories.

Installation Instructions.



M Performance Aerodynamic peripheries Retrofit Kit. BMW 3 Series Saloon (G20)

Retrofit kit number

51 19 2 455 832	Front attachment, black
51 19 2 455 835	Pro carbon front attachment, left
51 19 2 455 836	Pro carbon front attachment, right
51 19 2 455 880	Matt black rear spoiler
51 19 2 455 897	High gloss black sill add-on section, left
51 19 2 455 896	High gloss black sill add-on section, right
51 19 2 458 369	Carbon rear spoiler
51 19 2 455 821	High gloss black rear diffuser
51 19 2 455 819	Carbon rear diffuser
51 19 2 459 740	Carbon rear diffuser
51 19 2 455 856	High gloss black rear bumper trim
51 19 2 455 859	High gloss black rear bumper trim
51 12 2 455 862	High gloss rear towing eyelet cover

Installation time

Installation time, see table. This may vary depending on the condition of the car and its equipment package.

The installation time shown does not include any time spent on programming/coding.

The calculation of the total costs for the programming time must be factored into the calculation of retrofitting costs (must not be invoiced under the warranty).

Retrofit kit	Hours
Front attachment, black	0.5
Pro carbon front attachment	0.25
Matt black rear spoiler	0.5
Carbon rear spoiler	0.5
High gloss black sill add-on section	0.5 per side
High gloss black rear bumper trim and rear diffuser	0.75

Important information

These installation instructions are primarily designed for use within the BMW dealership organisation and by authorised BMW service companies.

These installation instructions are intended for use by qualified specialist staff trained on BMW cars with the relevant expert knowledge.

All work must be completed using the latest BMW repair manuals, wiring diagrams, servicing manuals and work instructions, in a logical order, using the prescribed tools (special tools), and observing current health and safety regulations.

The carbon rear diffusers **HA** and **IA** cannot be installed on cars with a trailer to pitch **SA 3AC**. If the carbon rear diffusers **HA** and **IA** are installed on cars with Comfort access **SA 322**, the **Smart Opener** function of this **option** will be disabled and can therefore no longer be used. After installing the carbon rear diffusers retrofit kits **HA** and **IA**, the **Smart Opener** function must be decoded by setting the K word "**DSMO**".

If you experience installation or function problems, restrict troubleshooting to approx. 0.5 hours for mechanical work and 1.0 hour for electrical work.


To avoid unnecessary extra work and/or costs, send an inquiry straight away to the technical parts support team via the Aftersales Assistance Portal (ASAP).

Quote the following information:

- VIN,
- retrofit kit part number,
- a detailed description of the problem,
- any work already carried out.

Do not archive the hard copy of these installation instructions, since daily updates are supplied in ASAP.

Pictograms

 Denotes instructions that draw your attention to dangers.

 Denotes instructions that draw your attention to special features.

◀ Denotes the end of the instruction or other text.

Installation information

All illustrations show LHD (left-hand drive) cars; proceed similarly on RHD (right-hand drive) cars. Installation is shown on one side of the car only, proceed in the same way on the other side.

Bonding surfaces must be cleaned with a cleaner and must be clean and free from wax and grease. The ambient temperature for bonding and drying must not be below 15°C or exceed 35°C . The car may be driven after **approx. 6 hours** and may be taken through a car wash after **approx. 48 hours**.

If the foil application Frozen Black (**Part No. 51 14 2 458 194**) is not fitted, the M Performance logo sticker (**Part No. 51 14 2 461 811, to be ordered separately**) must also be fitted.

The matt black rear spoiler **BA** can be partially painted as required by the customer.

Please note the following combinations for installing the bumper trim with rear diffuser:

	High gloss black rear bumper trim MSP	High gloss black rear bumper trim MPA
High gloss black rear diffuser PUR	x	x
Carbon rear diffuser MSP	x	
Carbon rear diffuser MPA		x
High gloss rear towing eyelet cover	x	x

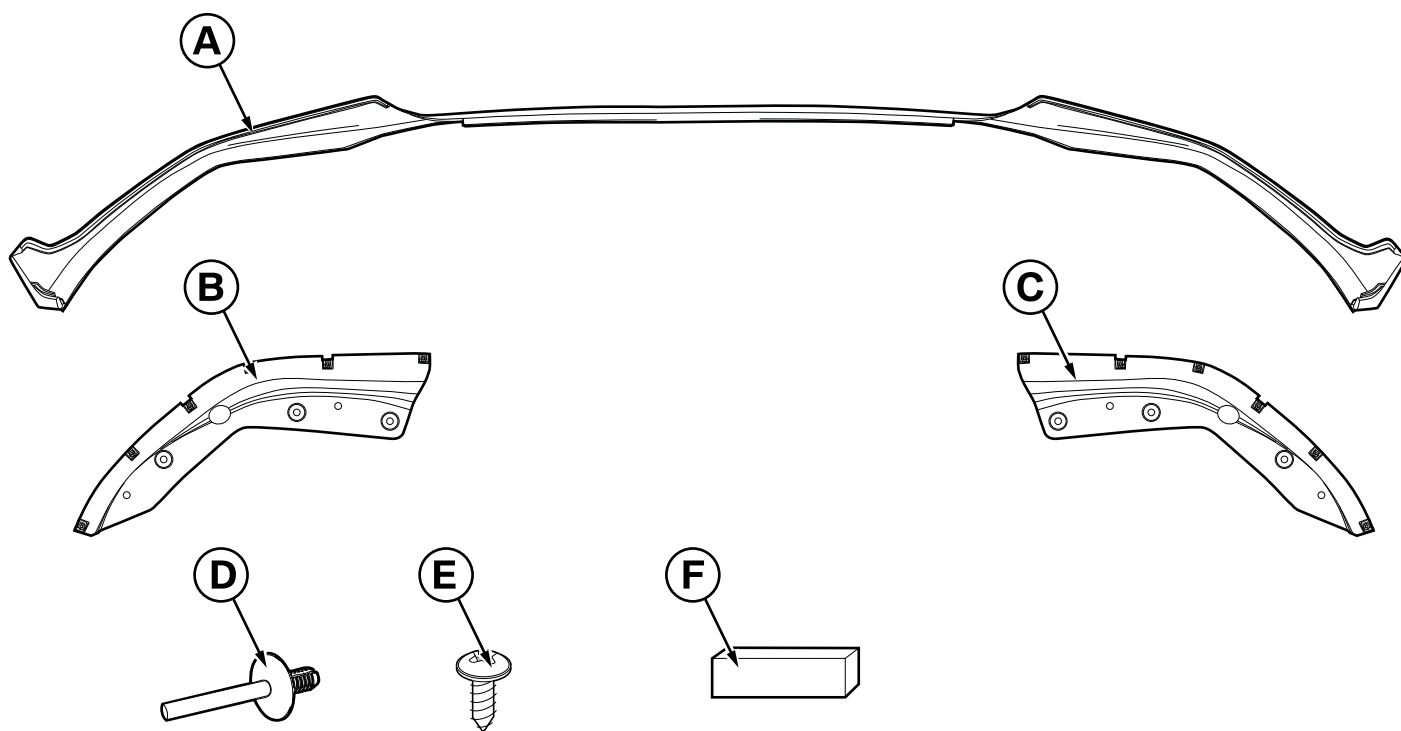
Special tools required

None

Table of contents

Section	Page
1. Black front attachment parts list	4
2. Pro carbon front attachment parts list	5
3. Matt black rear spoiler parts list	6
4. Carbon rear spoiler parts list	7
5. High gloss black side sill add-on section parts list	8
6. High gloss black rear bumper trim MSP parts list	9
7. High gloss black rear bumper trim MPA parts list	10
8. High gloss black rear diffuser PUR parts list	11
9. Carbon rear diffuser MSP parts list	12
10. Carbon rear diffuser MPA parts list	13
11. Preparatory work	14
12. Installing the black front attachment	15
13. Installing the Pro carbon front attachment	17
14. Installing the matt black rear spoiler	18
15. Installing the carbon rear spoiler	20
16. Installing the high gloss black side sill add-on section	22
17. Installing the high gloss black bumper trim	24
18. Installing the rear diffuser	25
19. Concluding work and coding	27

1. Black front attachment parts list

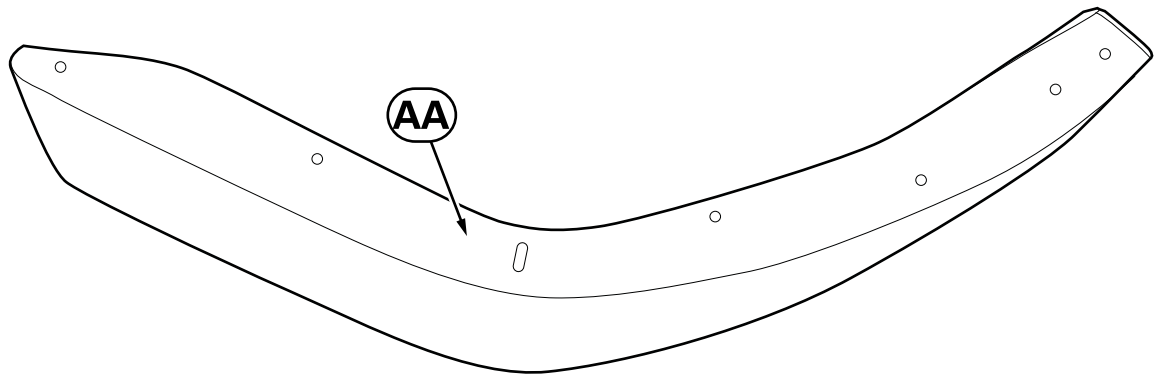


G20 0025 V

Legend

- A** Front attachment, black
- B** Front attachment support, left
- C** Front attachment support, right
- D** Expanding rivet (Part No. 7 002 953) (12 x)
- E** Screws (Part No. 7 133 553) (4 x)
- F** Liquid adhesive (see EPC for further information and part numbers)

2. Pro carbon front attachment parts list

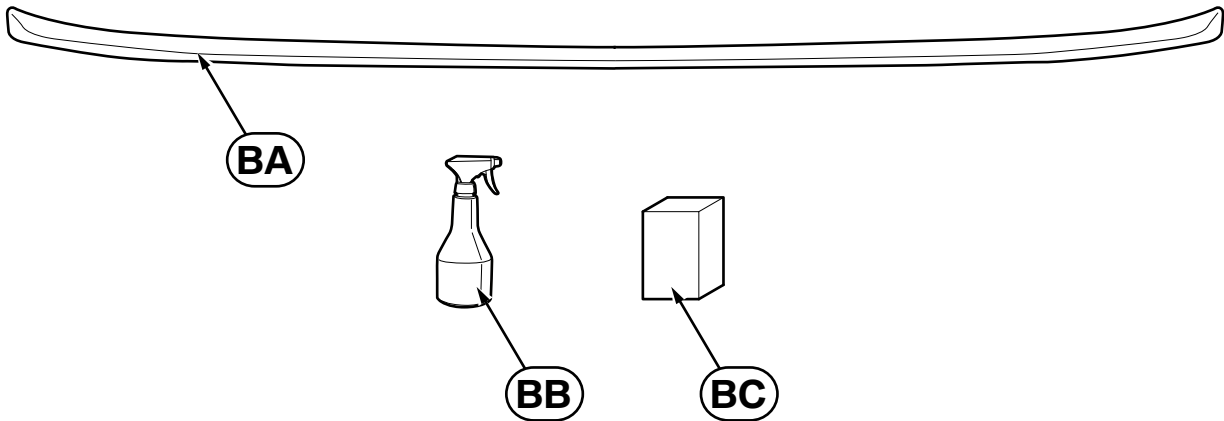


G20 0031 V

Legend

AA Pro carbon front attachment, left/right (the figure features the left attachment)

3. Matt black rear spoiler parts list

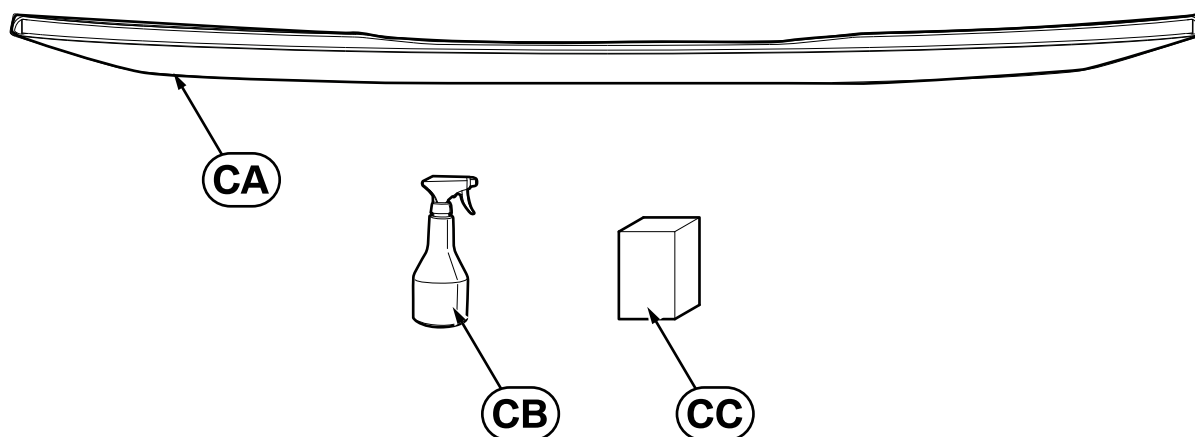


G20 0034 V

Legend

- BA** Matt black rear spoiler
- BB** Cleaner (not included in kit, see EPC for details)
- BC** Liquid adhesive (not included in kit, see EPC for details)

4. Carbon rear spoiler parts list

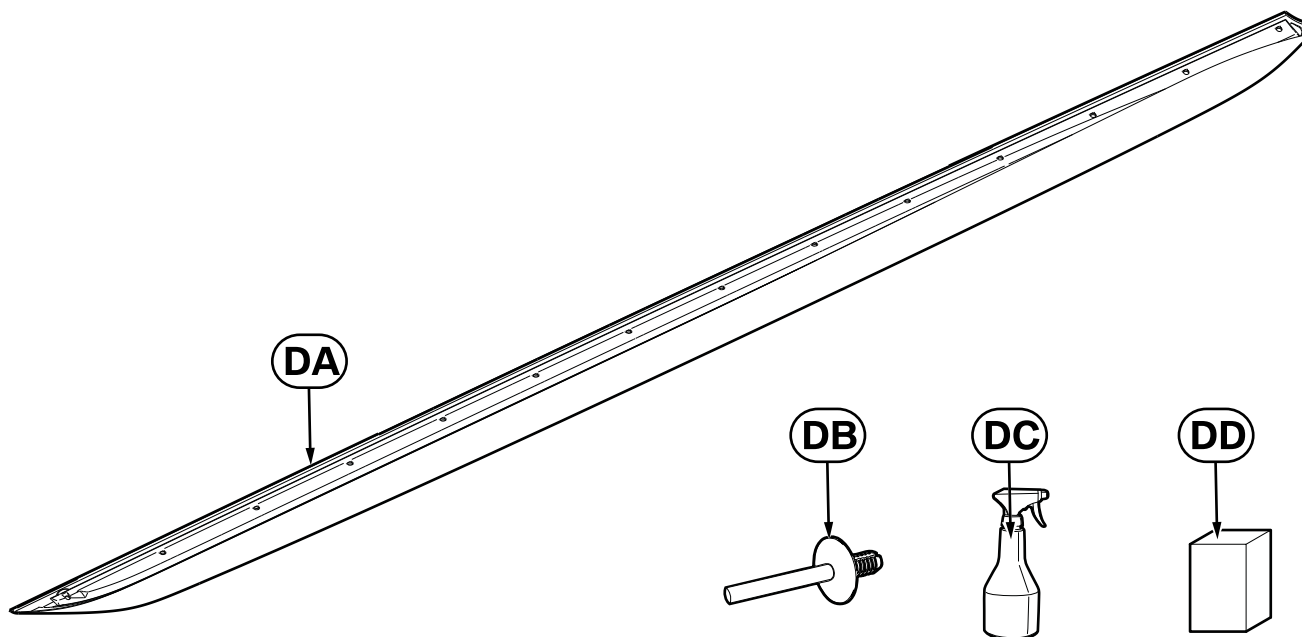


G20 0039 V

Legend

- CA** Carbon rear spoiler
- CB** Cleaner (not included in kit, see EPC for details)
- CC** Liquid adhesive (not included in kit, see EPC for details)

5. High gloss black side sill add-on section parts list

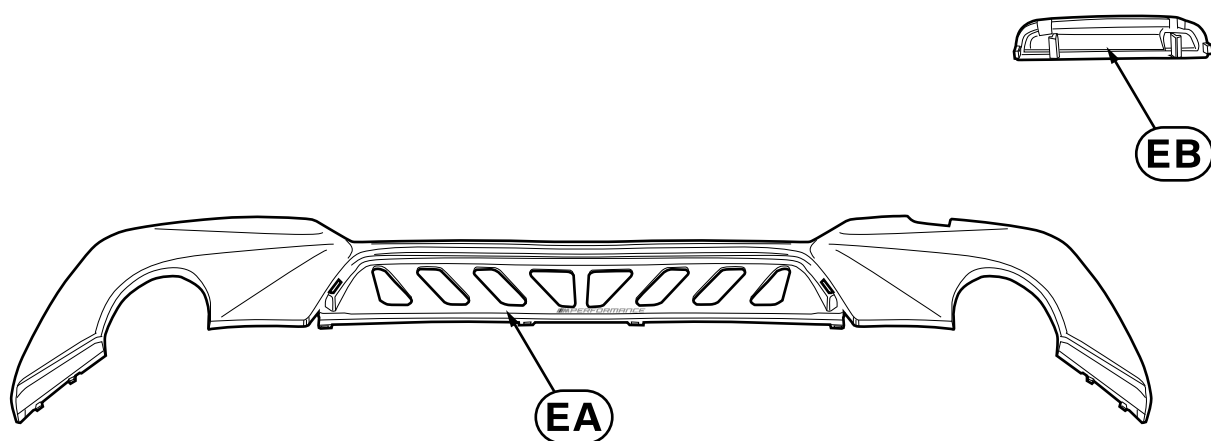


G20 0044 V

Legend

- DA** High gloss black sill add-on section, left/right (the figure features the left section)
- DB** Rivet (14 x per side)
- DC** Cleaner (not included in kit, see EPC for details)
- DD** Liquid adhesive (not included in kit, see EPC for details)

6. High gloss black rear bumper trim MSP parts list

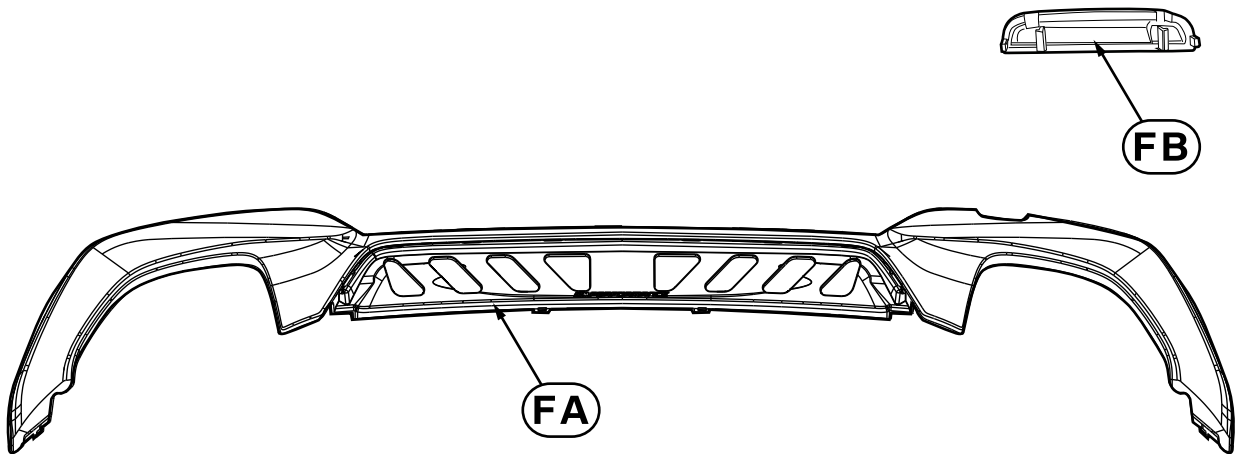


G20 0063 V

Legend

- EA** High gloss black rear bumper trim MSP
- EB** High gloss black rear towing eyelet cover

7. High gloss black rear bumper trim MPA parts list

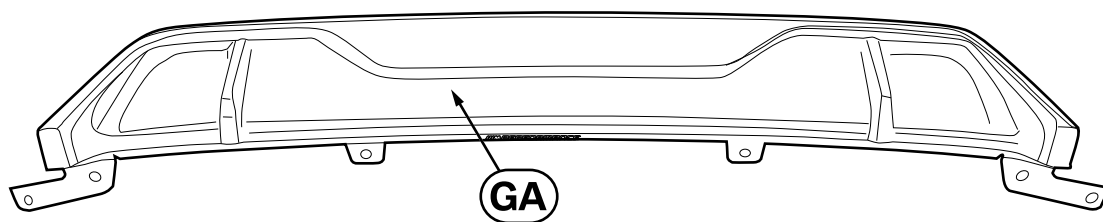


G20 0068 V

Legend

- FA** High gloss black rear bumper trim MPA
- FB** High gloss black rear towing eyelet cover

8. High gloss black rear diffuser PUR parts list

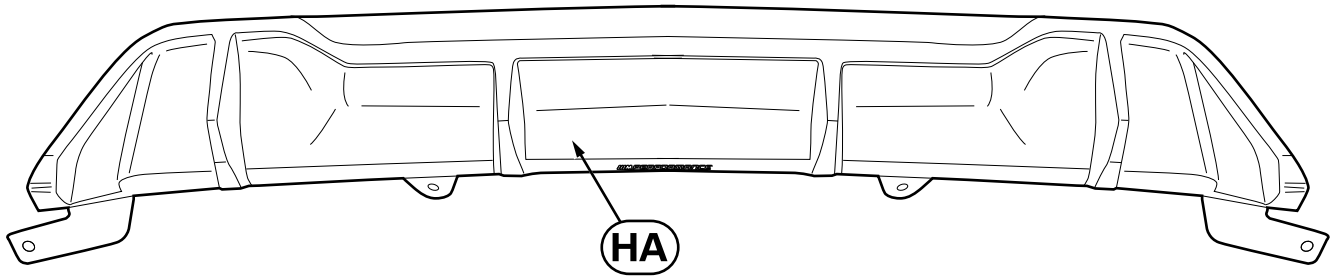


G20 0056 V

Legend

GA High gloss black rear diffuser PUR

9. Carbon rear diffuser MSP parts list

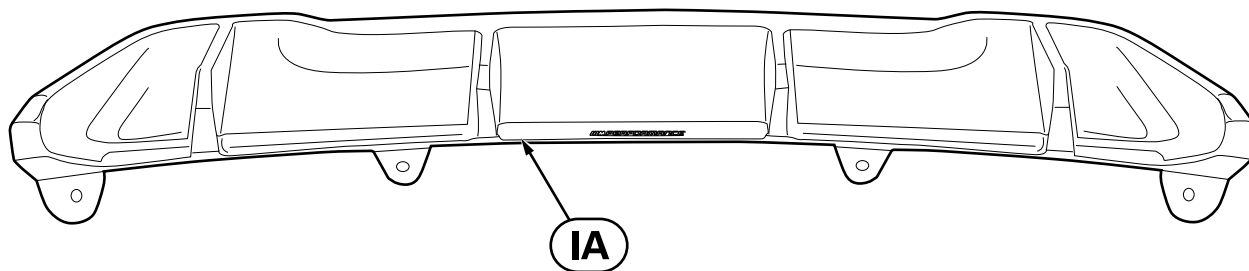


G20 0057 V

Legend

HA Carbon rear diffuser MSP

10. Carbon rear diffuser MPA parts list



G20 0058 V

Legend

IA Carbon rear diffuser MPA

11. Preparatory work

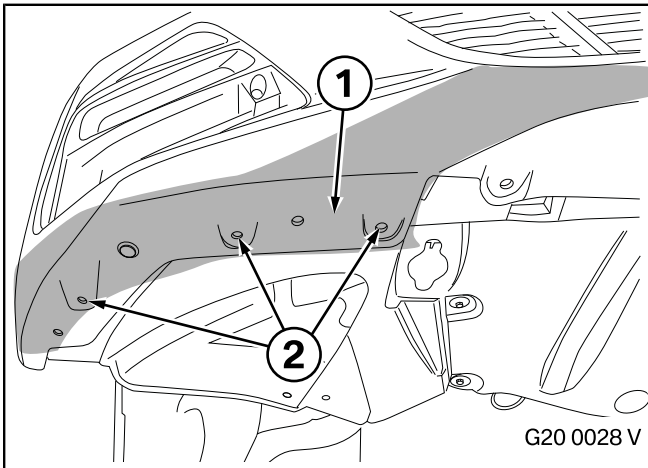
The following components must be removed first of all:

ISTA/AIR No.

Only for the installation of the high gloss black bumper trim

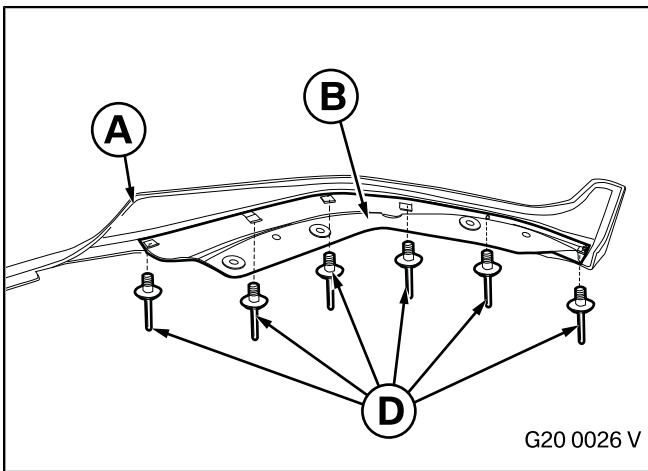
Standard bumper trim

12. Installing the black front attachment

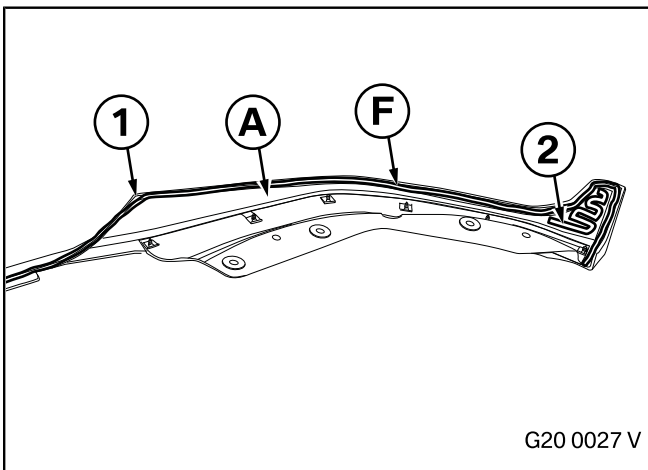


▶ The bonding surfaces must be completely dry, clean, and free from wax or grease. ◀

Clean the surfaces (1). Remove the screws (2).



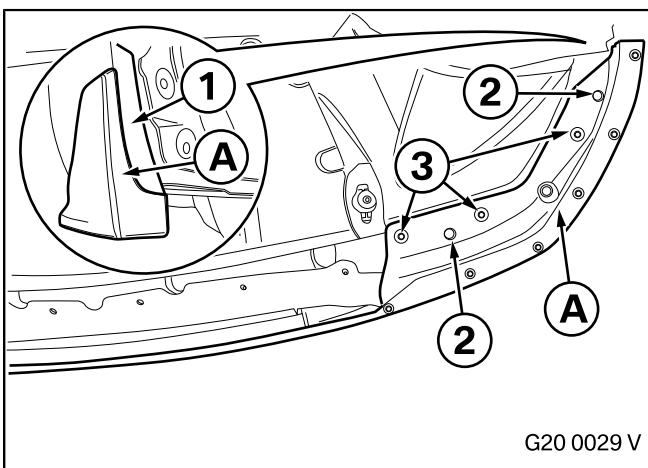
Rivet the front attachment support **B** to the black front attachment **A** from below using the expanding rivets **D**.



▶ Follow the instructions for using the liquid adhesive **F**. ◀

Abrade and clean the bonding flanges (1) and the section (2) of the black front attachment **A**.

Apply a bead of liquid adhesive **F** to the bonding flanges (1) and the section (2).

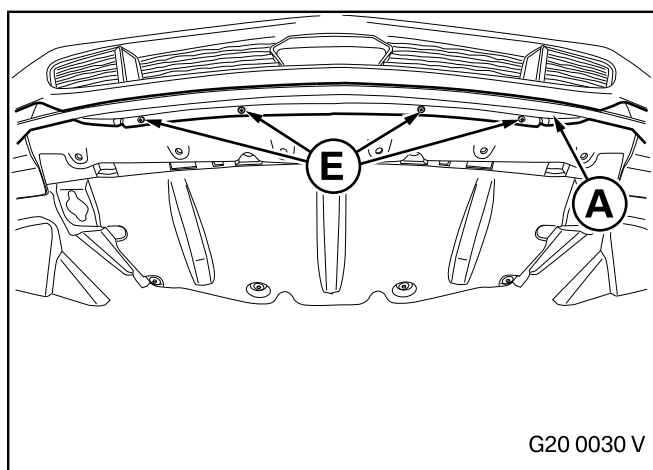


▶ A second person is required for this step. ◀

Align the black front attachment **A** on the wheel arches (1) and hold it in position and press it onto the car starting from the wheel arches and secure it on both sides using the existing expanding rivets (2). Check that it fits accurately on the wheel arches (1) and secure the front attachment support **B** using the existing screws (3).

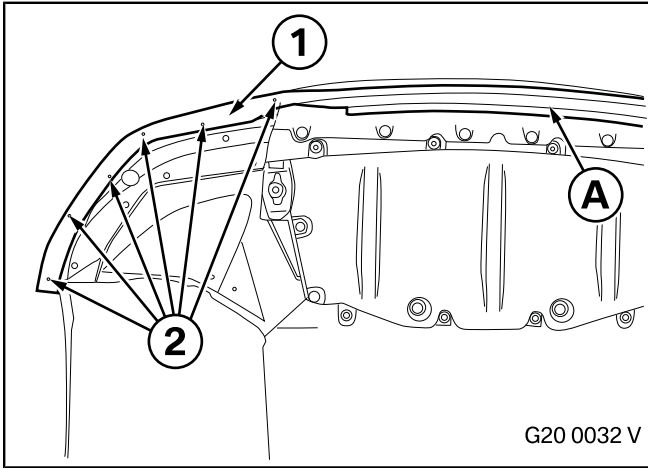
▶ Remove any excess liquid adhesive immediately. ◀

12. Installing the black front attachment



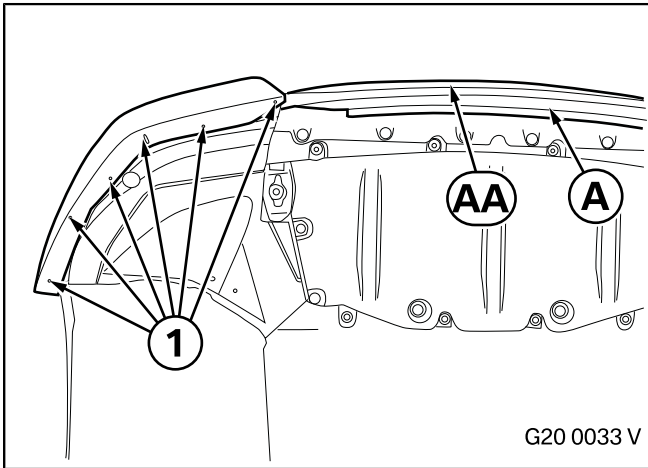
Check the accurate fit on the wheel arches again, secure it with adhesive tape and secure the black front attachment **A** from below using the screws **E**.

13. Installing the Pro carbon front attachment



▣ The bonding surfaces must be completely dry, clean, and free from wax or grease. ◀

Clean the surface (1) of the black front attachment **A**. Remove the expanding rivets (2).



Secure the Pro carbon front attachment **AA** with the expanding rivets (1).

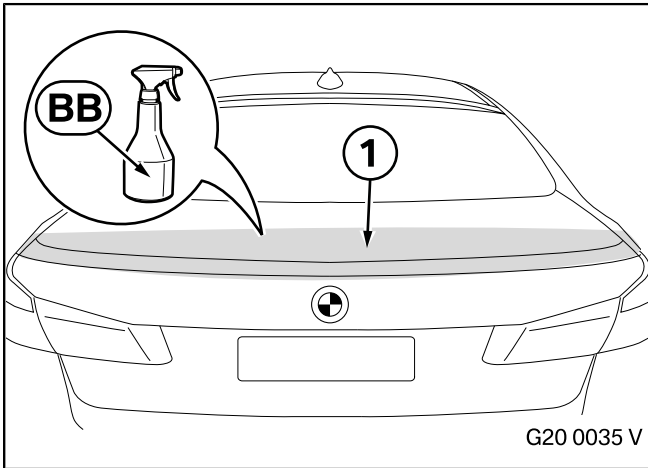
14. Installing the matt black rear spoiler

Painting instructions

Check that all the kit components fit accurately on the car before painting them. Primed kit components must be pre-treated accordingly before painting.

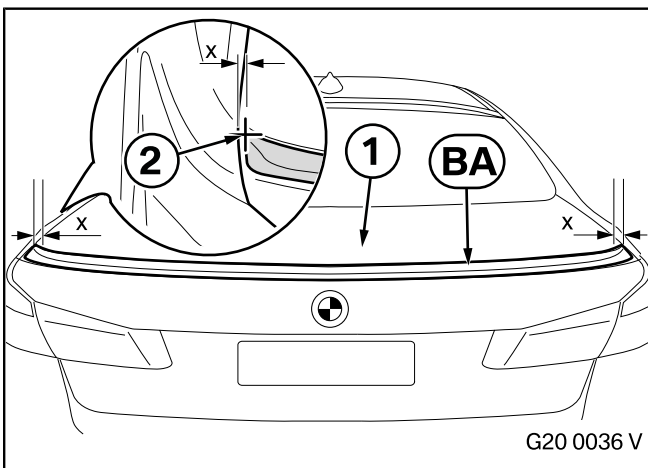
Follow the BMW painting instructions (see **ISTA/AIR No. 99 00 ...**).

▶ The matt black rear spoiler **BA** can be partially painted as required by the customer. ◀

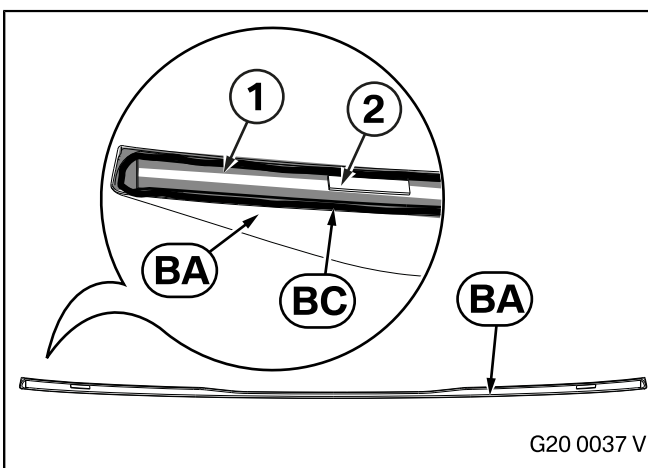


▶ The bonding surfaces must be completely dry, clean, and free from wax or grease. ◀

Clean the surface (1) of the car with cleaner **BB** (not included in the parts kit, see EPC for further details).



Position the matt black rear spoiler **BA** on the boot lid (1), centre it and mark the position (2) using suitable tools.

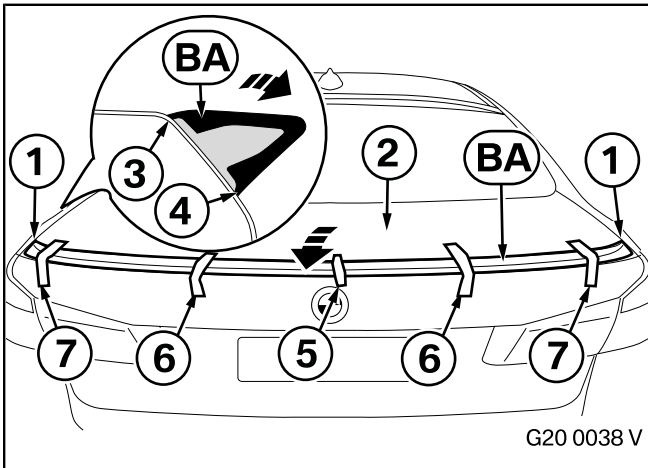


Abrade and clean the edge area (1) of the matt black rear spoiler **BA** using suitable products.

Apply an adequate quantity of liquid adhesive **BC**, as shown, in the form of a bead, **generously** to the matt black rear spoiler **BA**.

Remove backing film (2).

14. Installing the matt black rear spoiler



▶ Remove any excess liquid adhesive **BC** immediately. ◀

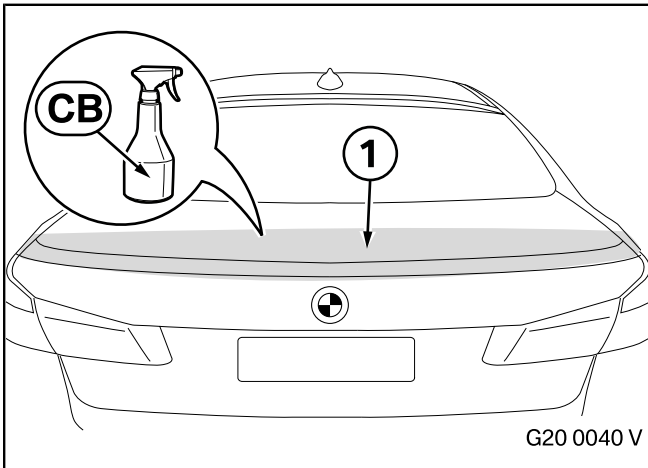
Position the matt black rear spoiler **BA** between the marks (1) and align it.


Pull the centre of the matt black rear spoiler **BA** to the rear in the direction shown by the arrow without touching the boot lid (2) until the front gap (3) has closed. Then press the matt black rear spoiler **BA** onto the boot lid (2) so that the bottom gap (4) also closes.

Secure the matt black rear spoiler **BA** first in the centre with adhesive tape (5) and then with the outer adhesive tapes (6) and (7).

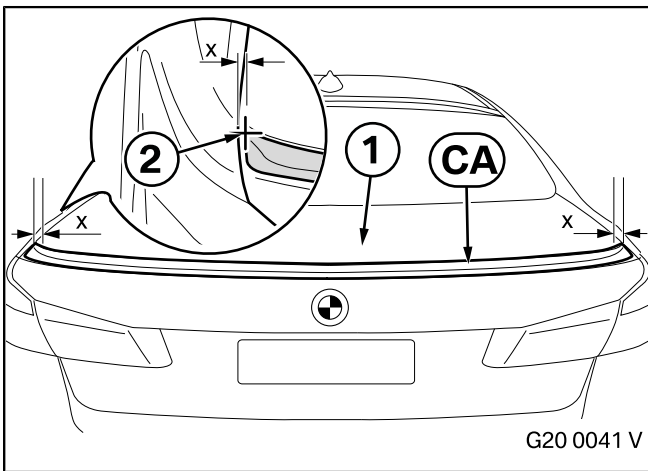
The adhesive tapes (5), (6) and (7) cannot be removed for at least 6 hours.

15. Installing the carbon rear spoiler

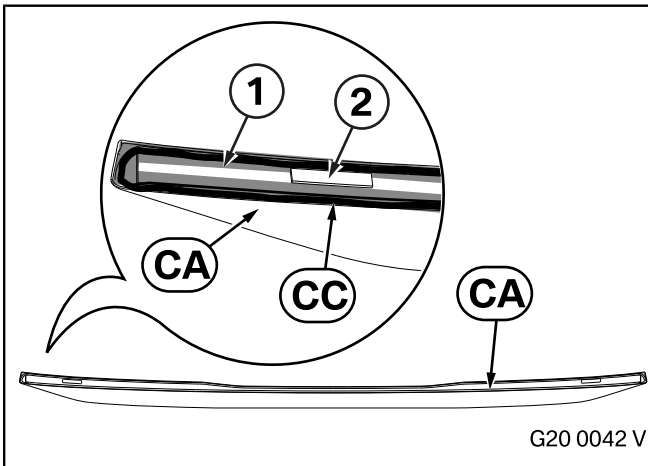


 The bonding surfaces must be completely dry, clean, and free from wax or grease. ◀

Clean the surface (1) of the car with cleaner **CB** (not included in the parts kit, see EPC for further details).



Position the carbon rear spoiler **CA** on the boot lid (1), centre it and mark the position (2) with suitable tools.

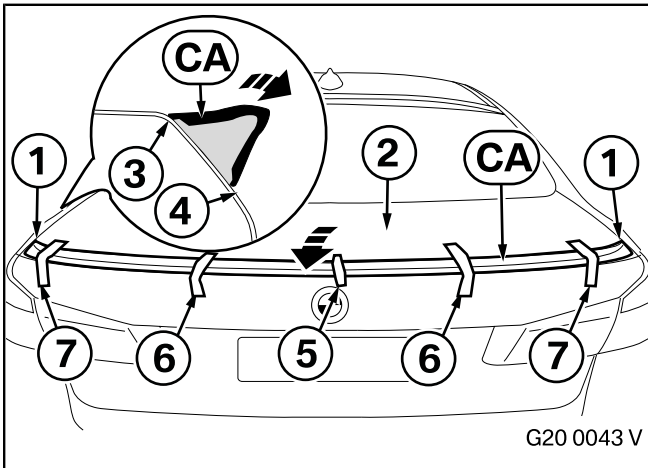


Abrade and clean the edge area (1) of the carbon rear spoiler **CA** using suitable products.

Apply an adequate quantity of liquid adhesive **CC**, as shown, in the form of a bead, **generously** to the carbon rear spoiler **CA**.

Remove backing film (2).

15. Installing the carbon rear spoiler



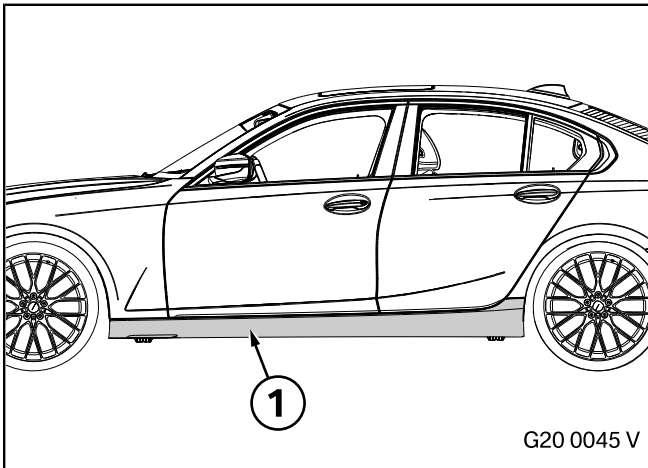
▶ Remove any excess liquid adhesive **CC** immediately. ◀

Position the carbon rear spoiler **CA** between the marks (1) and align it.

Pull the centre of the carbon rear spoiler **CA** to the rear in the direction shown by the arrow without touching the boot lid (2) until the front gap (3) has closed. Then press the carbon rear spoiler **CA** onto the boot lid (2) so that the bottom gap (4) closes.

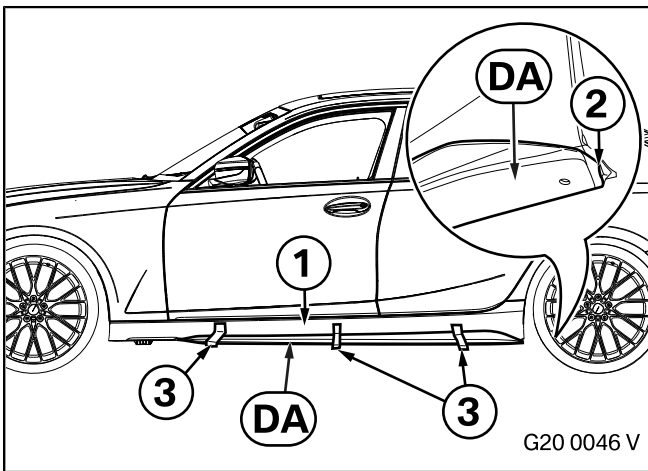
Secure the carbon rear spoiler **CA** first in the centre with adhesive tape (5) and then towards the outside with adhesive tapes (6) and (7). Do not remove the adhesive tapes (5), (6) and (7) for at least 6 hours.

16. Installing the high gloss black side sill add-on section

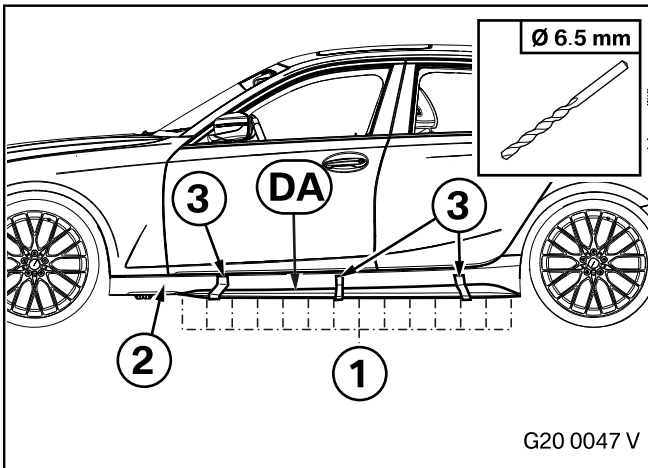


☐ The bonding surfaces must be completely dry, clean, and free from wax or grease. ◀

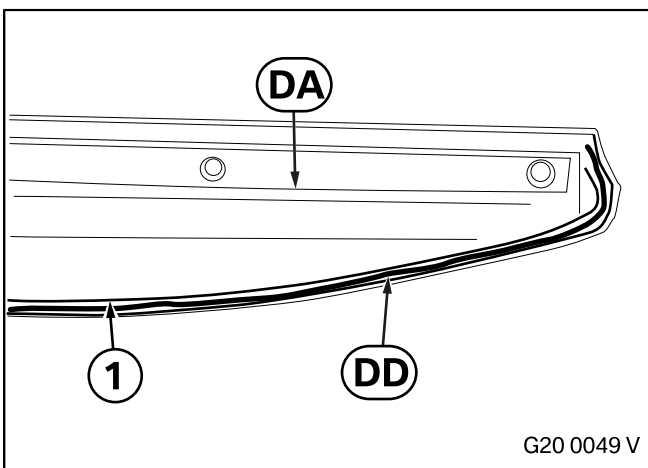
Clean the surface (1).



Position the side sill add-on section **DA** on the side sill (1). The rear contour (2) of the side sill add-on section **DA** must be flush with the rear contour of the side sill (1). Secure the side sill add-on section **DA** using suitable adhesive tape (3).



Drill the 14 holes (1) from the side sill add-on section **DA** with a diameter of **6.5 mm** in the side sill (2). Remove the adhesive tape (3) and the side sill add-on section **DA**.

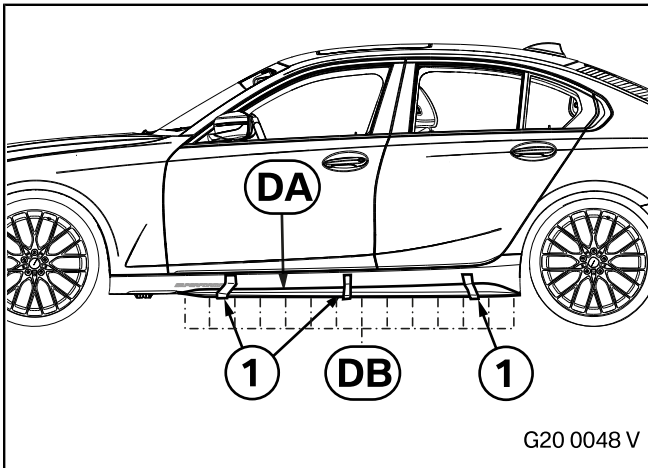


☐ Follow the instructions for use for the liquid adhesive **DD**. Apply the liquid adhesive **DD** to the side sill add-on section **DA** only on the external side of the car at the installation position. ◀

Clean the flange (1) on the side sill add-on section **DA** using the cleaner **DC**.

Apply a bead of liquid adhesive **DD** to the flange (1).

16. Installing the high gloss black side sill add-on section



- ▶ If the foil application Frozen Black (**Part No. 51 14 2 458 194**) is not fitted, the M Performance logo sticker (**Part No. 51 14 2 461 811, to be ordered separately**) must also be fitted. ◀

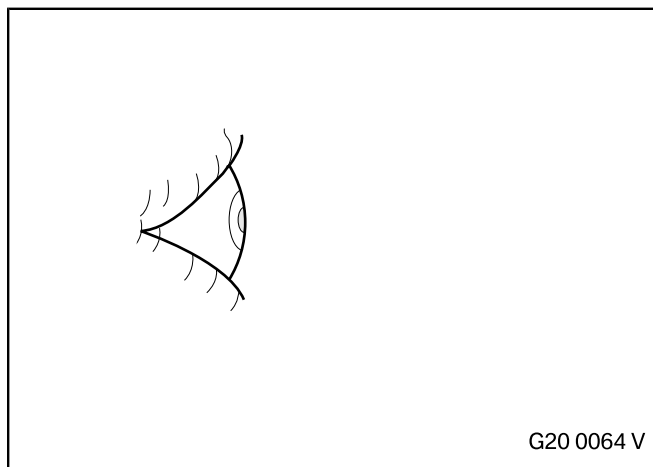
Position the side sill add-on section **DA** and secure it with the rivets **DB**.

Apply suitable adhesive tape (1).

- ▶ Do not apply the adhesive tape (1) with excessive tension to prevent stress in the side sill add-on section **DA**. Refer to the installation instructions on page 2.

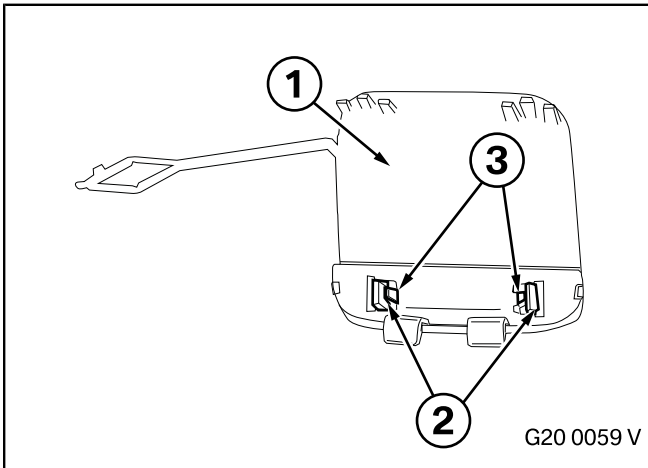
Remove any excess liquid adhesive immediately. ◀

17. Installing the high gloss black bumper trim

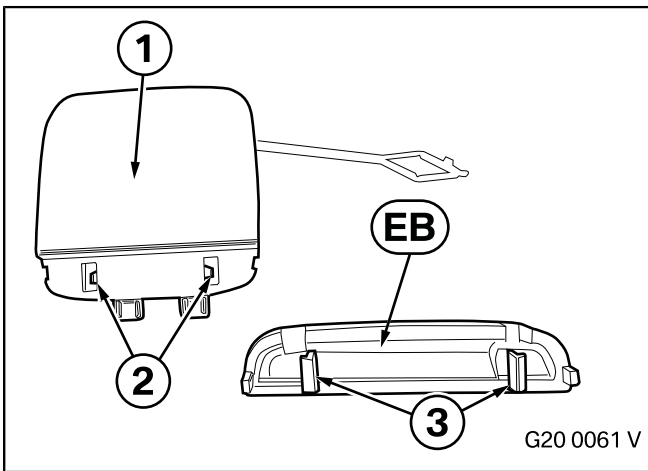



Install the high gloss black bumper trim **EA/FA** in the same way as the standard trim.

18. Installing the rear diffuser



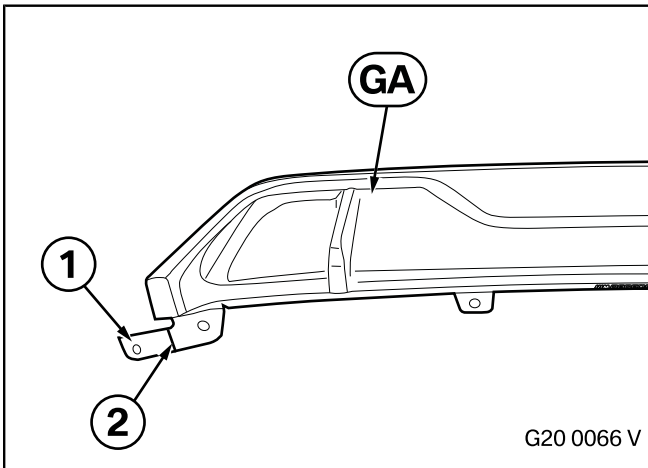
Remove the cover on the towing eyelet cover (1). Carefully bend the two bars (2) on the rear of the towing eyelet cover (1) towards the inside without deforming the holders (3) too badly, and press them out towards the front of the towing eyelet cover (1).



 The body-coloured towing eyelet cover (1) will be reused.

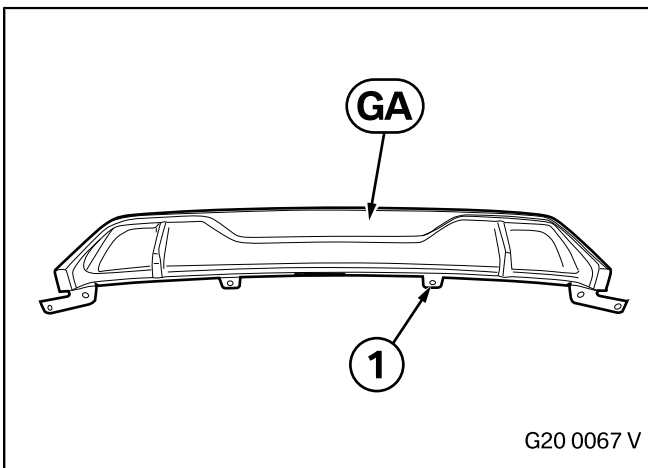
Bend the holders (2) on the towing eyelet cover (1) slightly towards the outside. Clip the barbs (3) on the high gloss towing eyelet cover **EB/FB** from the front into the towing eyelet cover (1).

Lock the towing eyelet cover into position on the car.



For high gloss black rear bumper trim MPA

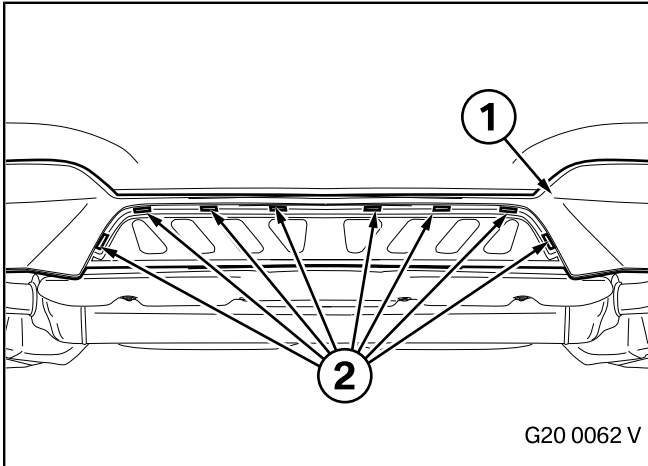
Remove the lug (1) at the predetermined breaking point (2) on the high gloss black rear diffuser PUR **GA** using suitable tools.



For cars with trailer tow hitch

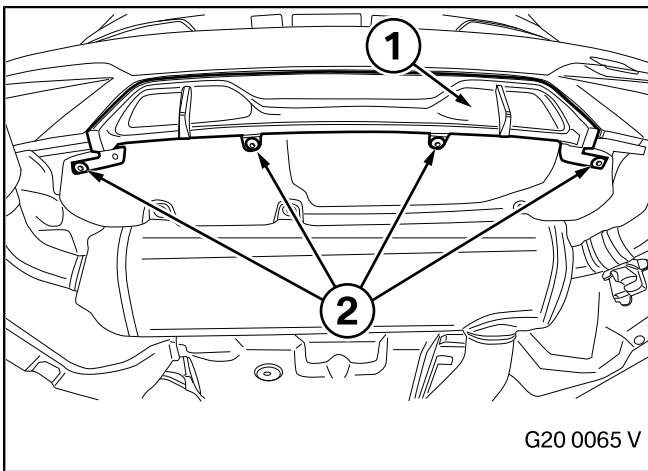
Remove the lug (1) completely using suitable tools and deburr it.

18. Installing the rear diffuser



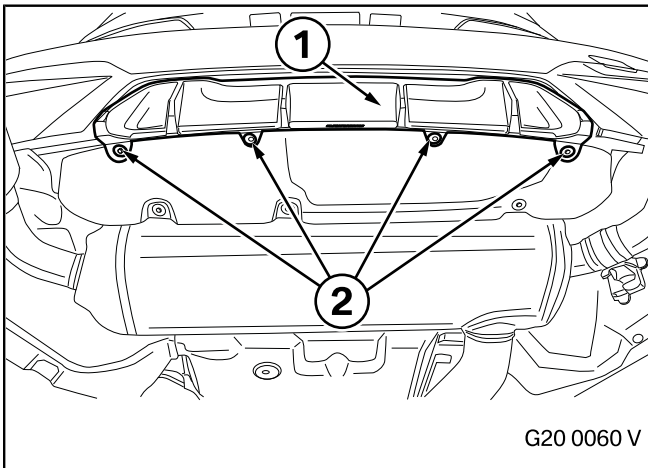
For all cars

Clip the rear diffuser into the high gloss black bumper trim (1) at the appropriate points (2).



For rear diffusers, high gloss black PUR and carbon MSP

Secure the rear diffuser (1) at the points show (2) using the existing screws.



For rear diffusers, high gloss black PUR and carbon MPA

Secure the rear diffuser (1) at the points show (2) using the existing screws.

19. Concluding work and coding

The retrofit system only requires programming/coding if the carbon rear diffuser retrofit kit **HA** and **IA** is installed.

- Connect the battery
- Connect the battery charger to the car
- Connect the car to the **ISTA** workshop system
- Open the **ISTA/P** car programming facility
- When using **ISTA/P**, please refer to the instructions provided in the **ISTA/P** application documentation
- Retrofit K-word: Select "**DSMO**" via the – Retrofits – path and work through the action plan
- If necessary, carry out a vehicle test using the **ISTA** system, and note, or work through, any errors that has been recorded
- Conduct a function test
- Re-assemble the car
- Give the customer the customer information